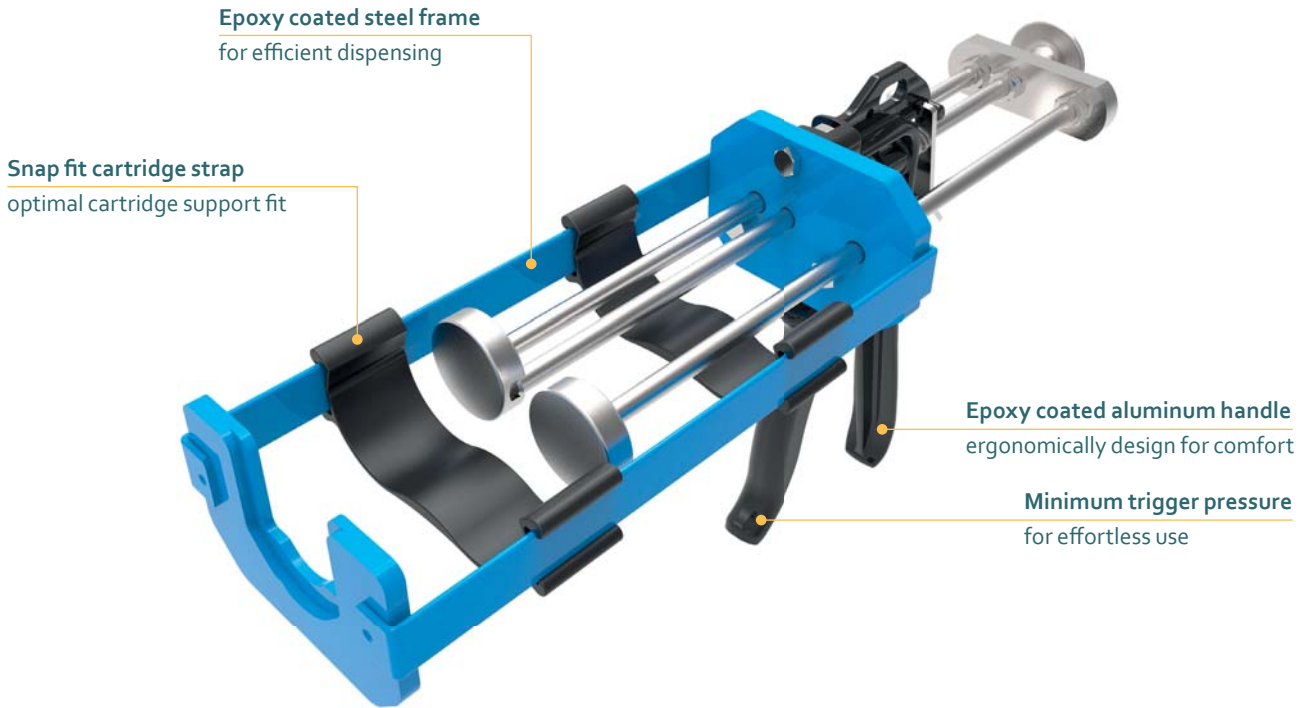


VBM 200X

200 ML CARTRIDGE DISPENSER



Model shown: VBM 200X 200 mL

FEATURES

- High quality cast aluminum handle
- Epoxy coated steel frame support
- Sintered alloy catch plate
- Snap fit cartridge strap
- Customization possible

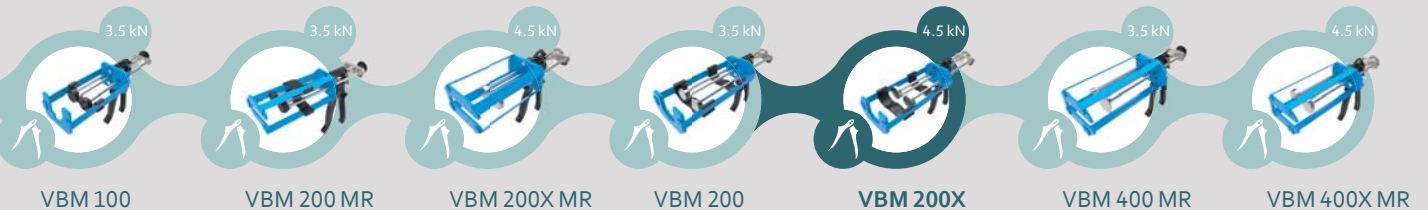
BENEFITS

- For day long comfortable use
- For efficient dispensing
- Wear compensation device (WCD)
- For optimal cartridge support
- Customer labelling

APPLICATIONS



PRODUCT BY RANGE

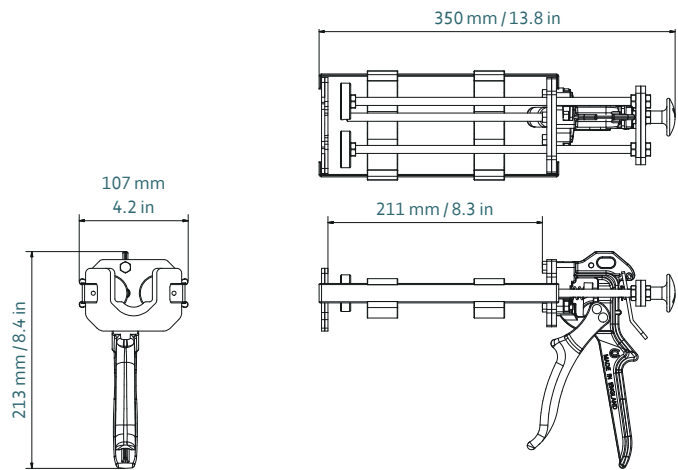


THE VBM 200X 2-COMPONENT MANUAL DISPENSER HAS A HIGH-POWERED 25:1 MECHANISM DESIGNED FOR USE WITH HIGH VISCOSITY SEALANTS AND ADHESIVES.

SPECIFICATIONS

- Lightweight: 1.6 kg / 3.5 lbs
- Frame Length: 211 mm / 8.3 in
- Maximum Thrust: 4.5 kN
- Handle Material:
Epoxy Coated Aluminum
- Frame Material: Epoxy Coated Steel
- Tool Component Approvals: REACH
- Cartridge Capacity: 400 mL (14.0 oz)
- Cartridge Ratio: 1:1
- Mechanical Advantage Ratio: 25:1
- Viscosity: High
- Standard Color: Black/Blue
- Customized Versions: Yes

DIMENSIONS



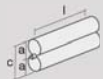
Part number	Article number	Packaging
DM2C 400-01-r25-001	177645 / M200X (US)	10 per Box / 1 per Box (US)

MATCHING MIXPAC™ SIDE-BY-SIDE CARTRIDGES



C-System/F-System
200 mL / 1:1 PP/PA

COMPATIBLE SIDE-BY-SIDE CARTRIDGES



Plastic Cartridge
400 mL / 1:1 PP/PBT

1:1	mm	inch
l	185.0	7.28
a	Ø 45.0	Ø 1.77
c	93.0	3.66

CONVERSION KITS

MATCHING ACCESSORIES