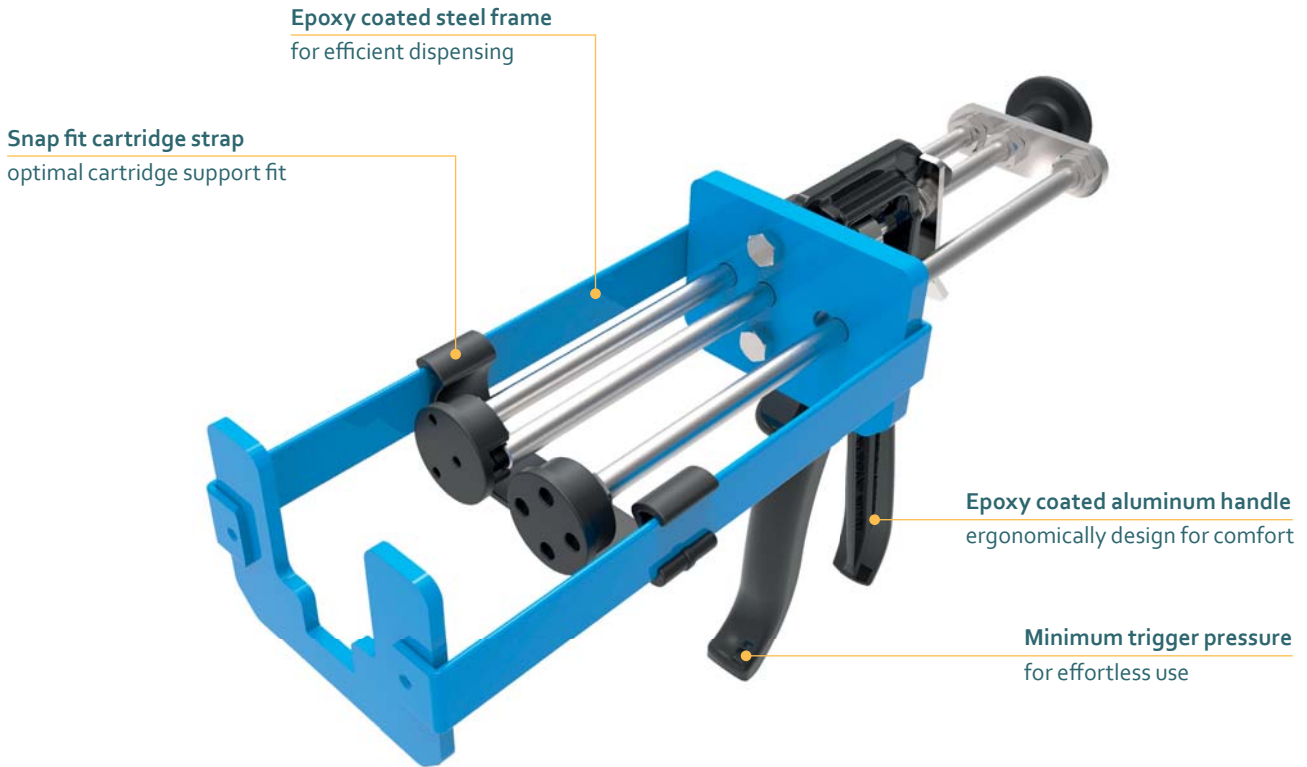


VBM 100

200 ML CARTRIDGE DISPENSER



Model shown: VBM 100 200 mL

FEATURES

- High quality cast aluminum handle
- Epoxy coated steel frame support
- Sintered alloy catch plate
- Snap fit cartridge strap
- Customization possible

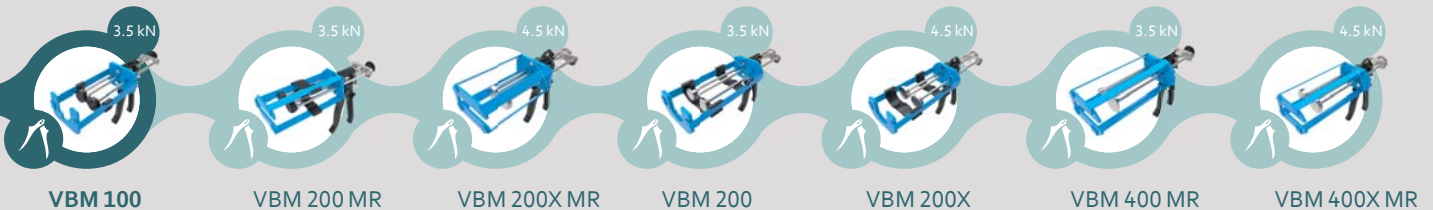
BENEFITS

- For day long comfortable use
- For efficient dispensing
- Wear compensation device (WCD)
- For optimal cartridge support
- Customer labelling

APPLICATIONS



PRODUCT BY RANGE

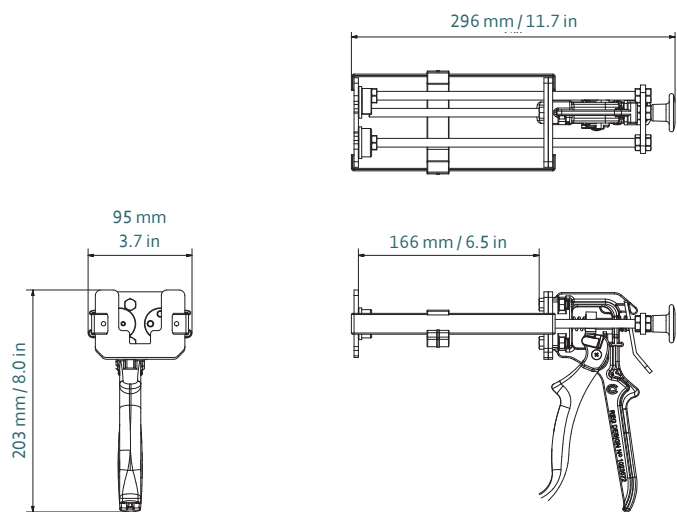


THE VBM 100 2-COMPONENT MANUAL DISPENSER HAS A HIGH-POWERED 18:1 MECHANISM DESIGNED FOR USE WITH LOW TO MEDIUM VISCOSITY SEALANTS AND ADHESIVES.

SPECIFICATIONS

- Lightweight: 1.2 kg / 2.6 lbs
- Frame Length: 166 mm / 6.5 in
- Maximum Thrust: 3.5 kN
- Handle Material:
Epoxy Coated Aluminum
- Frame Material: Epoxy Coated Steel
- Tool Component Approvals: REACH
- Cartridge Capacity: 200 mL (7.0 oz)
- Cartridge Ratio: 1:1/2:1
- Mechanical Advantage Ratio: 18:1
- Viscosity: Low/Medium
- Standard Color: Black/Blue
- Customized Versions: Yes

DIMENSIONS



Part number	Article number	Packaging
DM2C 200-01-r18-101	159900 / M100 (US)	10 per Box / 1 per Box (US)

MATCHING MIXPAC™ SIDE-BY-SIDE CARTRIDGES

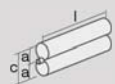


C-System/F-System
200 mL / 1:1 PP/PA



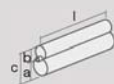
C-System/F-System
200 mL / 2:1 PP/PA

COMPATIBLE SIDE-BY-SIDE CARTRIDGES



Plastic Cartridge
200 mL / 1:1 PP

1:1	mm	inch
l	148.0	5.83
a	Ø 37.0	Ø 1.46
c	79.0	3.11



Plastic Cartridge
200 mL / 2:1 PP

2:1	mm	inch
l	148.0	5.83
a	Ø 50.0	Ø 1.97
b	Ø 31.0	Ø 1.22
c	81.0	3.19

CONVERSION KITS

Conversion kit included

MATCHING ACCESSORIES

—