

TS408 HM-101

50 ML CARTRIDGE DISPENSER

Quick cartridge exchange
for efficient working

Simple dispensing
one hand speed adjustment

Reinforced nylon handle
compact and lightweight



Model shown: TS408 HM-101 50 mL

FEATURES

- Quick cartridge exchange
- One hand pressure adjustment
- Anti-drip function
- Reinforced nylon handle
- Customization possible

BENEFITS

- For efficient working
- Simple dispensing, effective working
- Clean application
- Compact and lightweight
- Customer labelling

APPLICATIONS



Bonding

PRODUCT BY RANGE

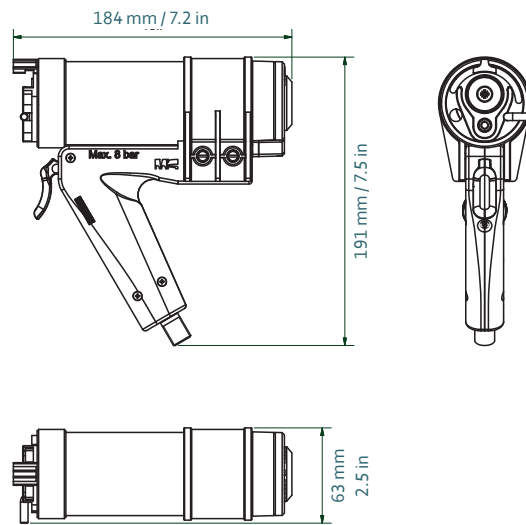


THE TS408 HM-101 2-COMPONENT PNEUMATIC DISPENSER OFFERS QUICK CARTRIDGE EXCHANGE FOR EFFICIENT WORKING ACROSS ALL YOUR APPLICATIONS WHILE THE ANTI-DRIP FUNCTION MAKES FOR EASY AND CLEAN DISPENSING.

SPECIFICATIONS

- Light weight: 0.73 kg / 1.6 lbs
- Dispenser Length: 184 mm / 7.2 in
- Maximum Thrust: 1.3 kN
- Maximum Pneumatic Pressure: 8 bar / 116 psi
- Air Consumption: 40 litres/min
- Handle Material: Reinforced Nylon
- Cartridge Holder Material: Reinforced Nylon
- Cartridge Capacity: 50 mL (1.8 oz)
- Cartridge Ratio: 10:1
- Viscosity: Low
- Standard Color: Black
- Customized versions on demand

DIMENSIONS



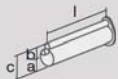
Part number	Article number	Packaging
DP2K S50-10-130-001	151886	1 per Box

MATCHING MIXPAC™ SIDE-BY-SIDE CARTRIDGES



BS-System
50 mL / 10:1 PP/PBT

COMPATIBLE SIDE-BY-SIDE CARTRIDGES



Round Flange Cartridge
50 mL / 10:1 PP/PBT

10:1	mm	inch
l	102.0	4.02
a	Ø 30.0	Ø 1.18
b	Ø 10.8	Ø 0.43
c	44.0	1.73

CONVERSION KITS

MATCHING ACCESSORIES