

MR 50

50 ML CARTRIDGE DISPENSER

Simple breech loading mechanism ensures cartridges are held securely



Ergonomic handle and trigger provide for comfort and minimum fatigue

Minimum trigger pressure for effortless use

Model shown: MR 50 50 mL

FEATURES

- Cartridge flexibility
- One singular dispenser
- Engineered to provide high thrust
- Simple breech loading mechanism
- Customization possible

BENEFITS

- Holds s-type, rectangular base cartridges and round back
- For 50, 75 mL cartridges
- Easy comfortable operation
- Ensures cartridges are held securely
- Customer labelling

APPLICATIONS



Bonding

PRODUCT BY RANGE



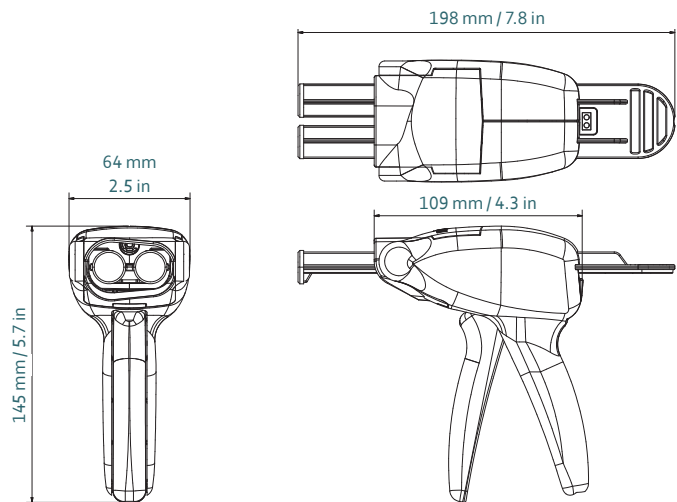
MR 50

THE MR 50 2-COMPONENT MANUAL DISPENSER IS CUSTOMISED FOR USE WITH BOTH RECTANGULAR BASE AND ROUND BACK 50/75 ML CARTRIDGES GIVING YOU FULL FLEXIBILITY.

SPECIFICATIONS

- Lightweight: 0.24 kg / 0.5 lbs
- Frame Length: 109 mm / 4.3 in
- Maximum Thrust: 2.5 kN
- Handle Material:
Glass Fiber Reinforced Nylon
- Frame Material:
Glass Fiber Reinforced Nylon
- Tool Component Approvals: REACH
- Cartridge Capacity: 50 mL (1.7 oz),
75 mL (2.6 oz) (Rectangular base)
- Cartridge Ratio: 1:1, 2:1, 4:1, 10:1
(S-type + Rectangular flange)
- Mechanical Advantage Ratio: 12:1
- Viscosity: Low/Medium
- Standard Color: Grey/Blue
- Customized Versions: Yes

DIMENSIONS



Part number	Article number	Packaging
DM2C S50-MR-r13-001	181230 S-type (1:1, 2:1, 4:1, 10:1)	20 per box / MR25 (US) S-type
DM2C 050-MR-r13-001	181240 Rectangular flange (1:1, 2:1, 4:1, 10:1)	20 per box

MATCHING MIXPAC™ SIDE-BY-SIDE CARTRIDGES



A/B and BS-System Cartridge
50 mL / 1:1 PP/PA



A/B and BS-System Cartridge
50 mL / 2:1 PP/PA

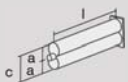


A/B and BS-System Cartridge
50 mL / 4:1 PP/PA

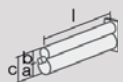


B and BS-System Cartridge
50 mL / 10:1 PP/PA/PBT

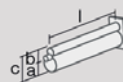
COMPATIBLE SIDE-BY-SIDE CARTRIDGES



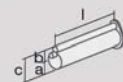
Rectangular Flange Cartridge
50 mL / 1:1 PP/PBT



Rectangular Flange Cartridge
50 mL / 2:1 PP/PBT



Rectangular Flange Cartridge
50 mL / 4:1 PP/PBT



Round Flange Cartridge
50 mL / 10:1 PP/PBT

1:1	mm	inch
l	99.7	3.93
a	Ø 21.0	Ø 0.83
c	46.0	1.81

2:1	mm	inch
l	108.5	4.27
a	Ø 25.0	Ø 0.89
b	Ø 18.0	Ø 0.71
c	46.0	1.81

4:1	mm	inch
l	108.5	4.27
a	Ø 25.0	Ø 0.89
b	Ø 13.0	Ø 0.51
c	46.0	1.81

10:1	mm	inch
l	102.0	4.02
a	Ø 30.0	Ø 1.18
b	Ø 10.8	Ø 0.43
c	44.0	1.73

CONVERSION KITS

MATCHING ACCESSORIES