

MIDIFLOW™ CARTRIDGE

310/400 ML CARTRIDGE DISPENSER



Model shown: MidiFlow Cartridge 400 mL

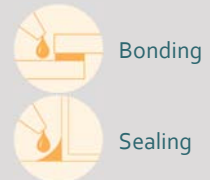
FEATURES

- Ergonomically designed handle
- U-opening rotating steel frame
- Curved rod end
- Wear compensation sleeve

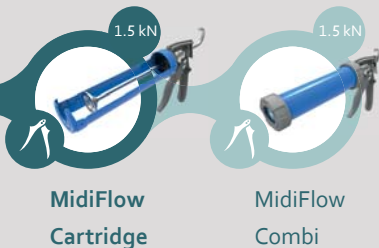
BENEFITS

- Lightweight highly durable
- Ease of cartridge insertion and removal
- Convenient tool support and storage
- For increased durability

APPLICATIONS



PRODUCT BY RANGE

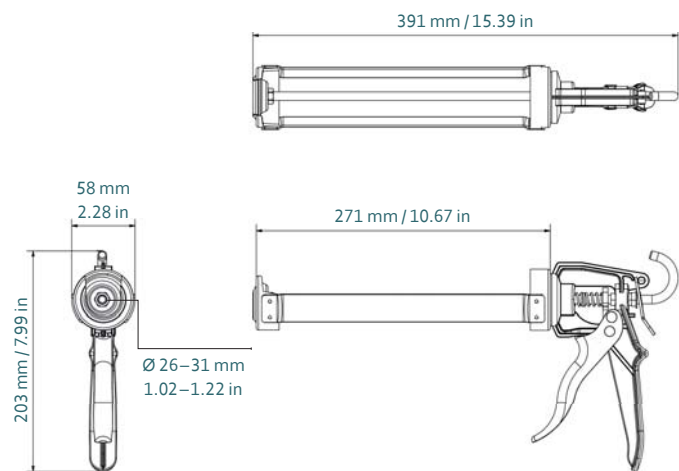


THE MIDIFLOW 1-COMPONENT MANUAL DISPENSER IS A LIGHT-WEIGHT HIGHLY DURABLE DISPENSER WITH U-OPENING STEEL FRAME FOR EASY INSERTION AND REMOVAL OF CARTRIDGES.

SPECIFICATIONS

- Weight: 0.67 kg / 1.5 lbs
- Frame Length: 271 mm / 10.67 in
- Maximum Thrust: 1.5 kN
- Handle Material:
Glass Fiber Reinforced Nylon
- Frame Material: Epoxy Coated Steel
- Cartridge Capacity: 310 mL (10.5 oz),
400 mL (13.5 oz)
- Mechanical Advantage Ratio: (10:1)
- Standard Color: Blue/Grey
- Nozzle Dimension:
Ø 26–31 mm / 1.02–1.22 in
- Customized versions on demand

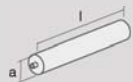
DIMENSIONS



Product	Article number	Packaging
DM1C 400-ca-r10-001	181192	10 per Box

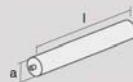
MATCHING MIXPAC™ CARTRIDGES

COMPATIBLE CARTRIDGES



Plastic Cartridge
310 mL HPDE/PP/PA

	mm	inch
l	216.0	8.5
a	Ø 48.2	Ø 1.8



Plastic Cartridge
400 mL HPDE/PA

	mm	inch
l	256.0	10.0
a	Ø 49.0	Ø 1.9

CONVERSION KITS

–

MATCHING ACCESSORIES

Nozzle extension / twisty nozzle on pages 98–102.