

# ELECTRAFLOW™ PLUS

## 310 ML CARTRIDGE DISPENSER



Model shown: ElectraFlow Plus Cartridge 310 mL

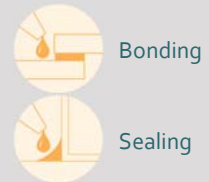
### FEATURES

- Rechargeable Bosch Professional 18 V System
- Variable speed trigger
- Epoxy coated steel frame
- Overload shut off function
- Auto-reverse function

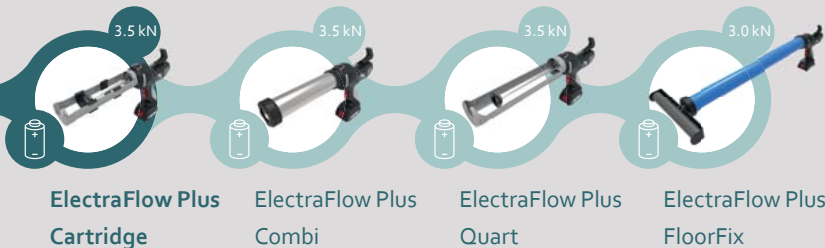
### BENEFITS

- More capacity equals longer usage between charges
- For greater speed control during dispensing
- Copes easily with high forces
- Prevents damage to the tool and cartridge
- Stops material flow when trigger is released

### APPLICATIONS



### PRODUCT BY RANGE



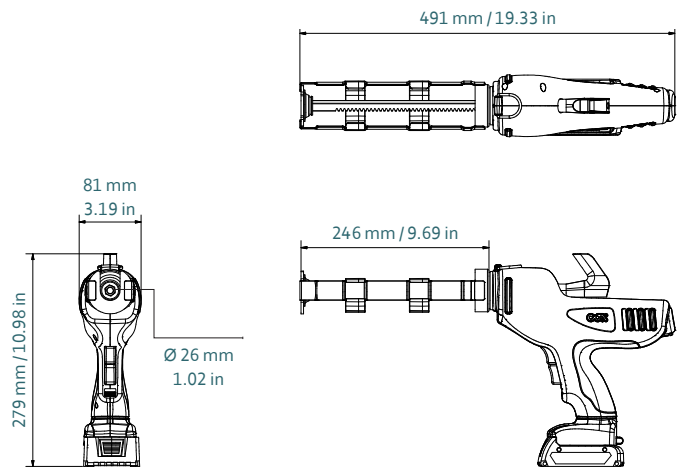
\* PROFESSIONAL 18 V SYSTEM is a trademark registered and/or owned by BOSCH.

# THE ELECTRAFLOW PLUS 1-COMPONENT BATTERY DISPENSER IS DESIGNED FOR USE WITH MEDIUM TO HIGH VISCOSITY SEALANTS AND ADHESIVES WHILE THE BOSCH PROFESSIONAL 18 V SYSTEM OFFERS MORE CAPACITY GIVING YOU LONGER USAGE BETWEEN CHARGES.

## SPECIFICATIONS

- Weight with Battery: 2.38 kg / 5.2 lbs
- Frame Length: 246 mm / 9.69 in
- Maximum Thrust: 3.5 kN
- Voltage: 18 V
- Battery Capacity: 2.0 Ah
- Battery Charge Time: 35 min
- Battery Type: Li-ion
- Handle Material: PC/ABS
- Frame Material: Epoxy Coated Steel
- Cartridge Capacity: 310 mL (10.5 oz)
- Standard Color: Black/Grey
- Nozzle Dimension: Ø 26 mm / 1.02 in
- Customized versions on demand

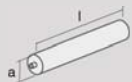
## DIMENSIONS



Product	Article number	Packaging
DB1C 310-ca-350-201	167029 (bare no battery/charger) EU/UK/US battery & chargerversions also available	1 per Box

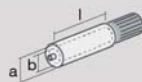
## MATCHING MIXPAC™ CARTRIDGES

## COMPATIBLE CARTRIDGES



Plastic Cartridge  
310 mL HPDE/PP/PA

	mm	inch
l	216.0	8.5
a	Ø 48.2	Ø 1.8



Plastic Cartridge  
150 mL 1:1, 2:1, 10:1 PP

	mm	inch
l	117	4.6
a	Ø 50.0	Ø 1.9
1:1 b	Ø 32.0	Ø 1.2
2:1 b	Ø 26.0	Ø 1.0
10:1 b	Ø 14.3	Ø 0.5

## CONVERSION KITS

—

## MATCHING ACCESSORIES

Battery charger / Battery on pages 100.