

AIRFLOW™ 2 SACHET

310–600 ML SACHET DISPENSER



Model shown: AirFlow 2 Sachet 400 mL

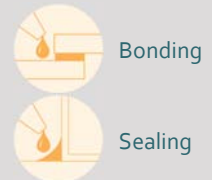
FEATURES

- Glass filled nylon handle
- Floating plunger with tethered piston system
- Integrated handle
- 6.8 bar (100 psi) regulator
- Quick exhaust valve

BENEFITS

- Ergonomically designed for comfort
- Minimizes flow-on
- Quick adjustment of pressure regulator
- Fitted as standard – others are available
- Minimizes waste of material

APPLICATIONS



PRODUCT BY RANGE



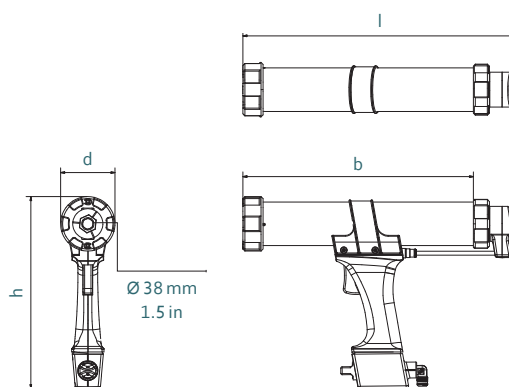
THE AIRFLOW 2 SACHET 1-COMPONENT PNEUMATIC DISPENSER HAS A 6.8 BAR (100 PSI) REGULATOR FITTED AS STANDARD WITH A VARIABLE SPEED REGULATOR WHICH MINIMIZES FLOW-ON, GIVING YOU PRECISE CONTROL FOR ALL YOUR APPLICATIONS.

SPECIFICATIONS

- Weight: 0.95–1.12 kg / 2.1–2.5 lbs
- Frame Length: 290–437 mm / 11.4–17.2 in
- Maximum Thrust: 1.45 kN
- Maximum Pneumatic Pressure: 6.8 bar (100 psi)
- Handle Material: Glass Filled Nylon
- Barrel Material: Anodized Aluminum
- Sachet Capacity: 310 mL (10.5 oz), 400 mL (13.5 oz), 600 mL (20.3 oz)
- Standard Color: Black/Grey
- Nozzle Dimension: Ø 38 mm / 1.5 in
- Customized versions on demand

DIMENSIONS (MM/IN)

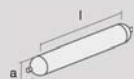
product	height (h)	length (l)	depth (d)	barrel (b)
Sachet 310	242 / 9.5	345 / 13.6	69 / 2.7	290 / 11.4
Sachet 400	242 / 9.5	386 / 15.2	69 / 2.7	332 / 13.1
Sachet 600	242 / 9.5	492 / 19.4	69 / 2.7	437 / 17.1



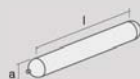
Product	Article number	Packaging
DP1C 310-sa-145-201	178183 (61006-10 for US)	10 per Box (1 per Box for US)
DP1C 400-sa-145-201	178186 (61006-400 for US)	10 per Box (1 per Box for US)
DP1C 600-sa-145-201	178189 (61006-20 for US)	10 per Box (1 per Box for US)

MATCHING MIXPAC™ CARTRIDGES

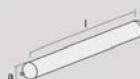
COMPATIBLE SACHETS



Sachet
310 mL



Sachet
400 mL



Sachet
600 mL

	mm	inch
l	220.0	8.66
a	Ø 50.0	Ø 1.97

	mm	inch
l	258.0	10.16
a	Ø 50.0	Ø 1.97

	mm	inch
l	335.0	13.2
a	Ø 50.0	Ø 2.0

CONVERSION KITS

MATCHING ACCESSORIES

Nozzles on pages 98–102.