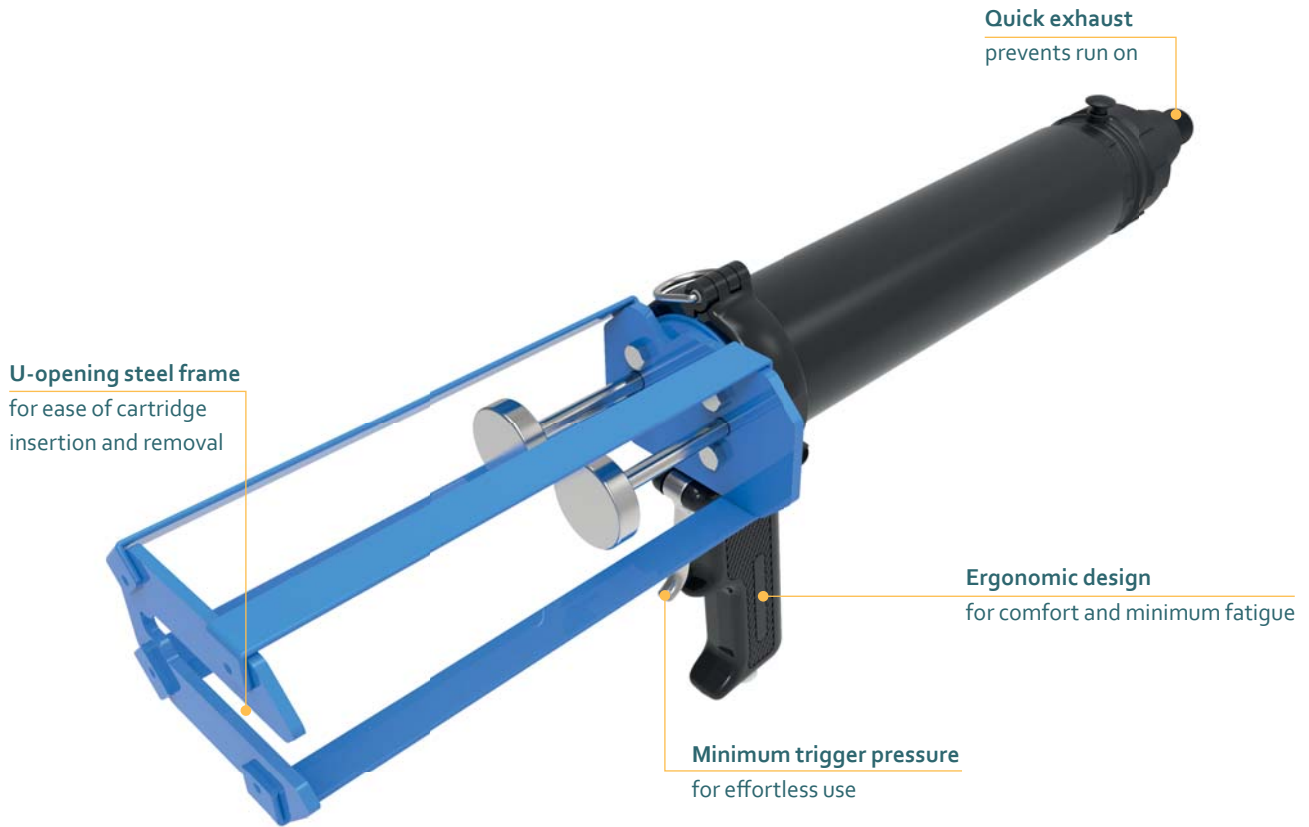


AIRFLOW™ 1 VBA 400B MR

400 ML CARTRIDGE DISPENSER



Model shown: AirFlow 1 VBA 400B MR 400 mL

FEATURES

- Air return as standard
- Minimum trigger pressure
- U-opening steel frame
- Quick exhaust valve
- Customization possible

BENEFITS

- Fast, accurate and effortless application
- For effortless use and minimum fatigue
- Ease of cartridge insertion and removal
- Prevents run-on
- Customer labelling

APPLICATIONS



Bonding

Chemical Anchoring

PRODUCT BY RANGE



AirFlow 1
VBA 400B MR

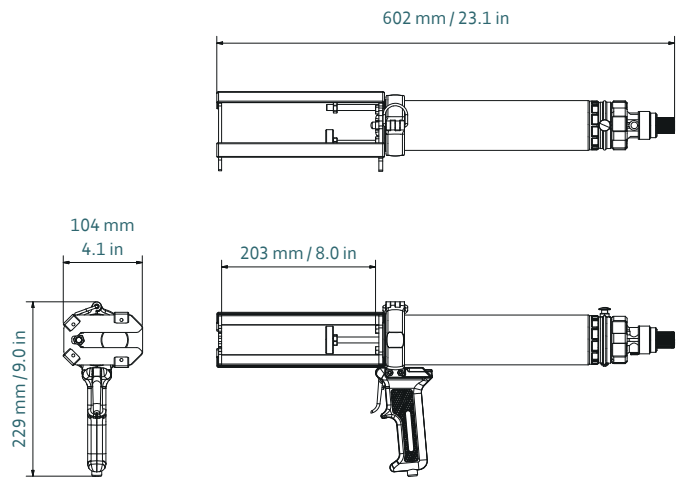
AirFlow 1
VBA 400A MR

THE AIRFLOW 1 VBA 400B MR 2-COMPONENT MULTI-RATIO PNEUMATIC DISPENSER OFFERS AIR RETURN AS STANDARD FOR FAST, ACCURATE AND EFFORTLESS APPLICATION, WHILE THE QUICK EXHAUST VALVE PREVENTS RUN ON.

SPECIFICATIONS

- Weight: 2.2 kg / 4.8 lbs
- Frame Length: 203 mm / 8.0 in
- Maximum Thrust: 2.2 kN
- Maximum Pneumatic Pressure: 6.8 bar / 100 psi
- Air Consumption: 40 litres/min
- Handle Material: Aluminum
- Frame Material: Steel
- Tool Component Approvals: CE, REACH
- Cartridge Capacity: 400 mL (14 oz)
- Cartridge Ratio: 1:1, 2:1, 4:1, 10:1
- Viscosity: Low/Medium
- Standard Color: Black/Blue
- Customized versions on demand

DIMENSIONS



Part number	Article number	Packaging
DP2C 400-MR-220-101	177698	1 per Box

MATCHING MIXPAC™ SIDE-BY-SIDE CARTRIDGES



C-System/F-System
400 mL / 1:1 PP/PA



C-System/F-System
400 mL / 2:1 PP/PA



C-System/F-System
400 mL / 4:1 PP/BPT



C-System/F-System
400 mL / 10:1 PP/BPT

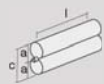


BlueLine
400 mL / 2:1 PP/BPT

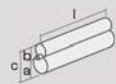


BlueLine
400 mL / 10:1 PP/BPT

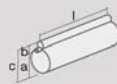
COMPATIBLE SIDE-BY-SIDE CARTRIDGES



Plastic Cartridge
400 mL / 1:1 PP/PBT



Plastic Cartridge
400 mL / 2:1 PP



Plastic Cartridge
400 mL / 10:1 PP/PBT

	1:1	mm	inch	2:1	mm	inch	10:1	mm	inch
l		185.0	7.28	l	185.0	7.28	l	185.0	7.28
a		Ø 45.0	Ø 1.77	a	Ø 47.0	Ø 1.85	a	Ø 65.0	Ø 2.56
c		93.0	3.66	b	Ø 33.0	Ø 1.3	b	Ø 19.5	Ø 0.77
				c	96.0	3.78	c	94.0	3.7

CONVERSION KITS

Conversion kit included

MATCHING ACCESSORIES

—