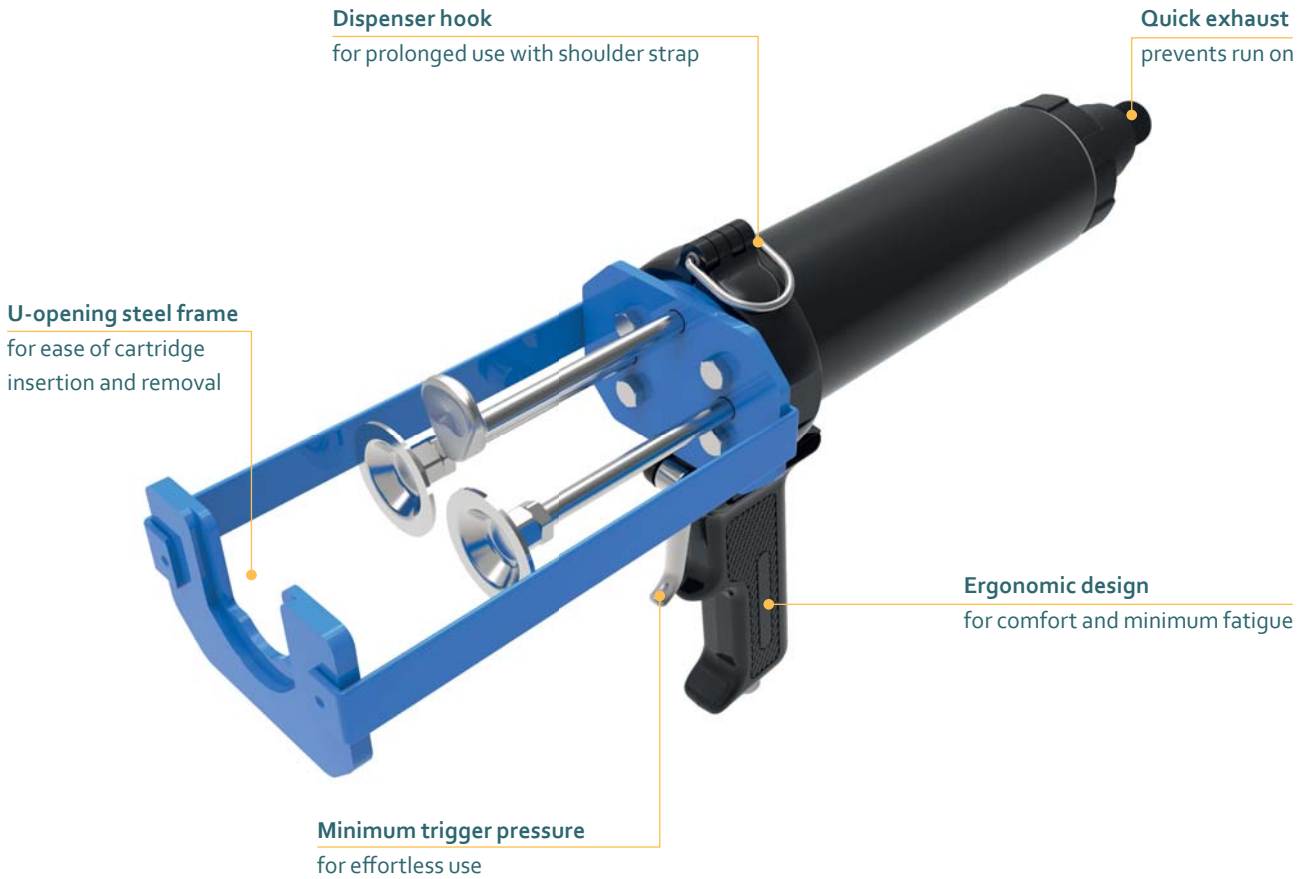


AIRFLOW™ 1 RBA 200B

400 ML CARTRIDGE DISPENSER



Model shown: AirFlow 1 RBA 200B 400 mL

FEATURES

- Minimum trigger pressure
- U-opening steel frame
- Quick exhaust valve
- Customization possible

BENEFITS

- For effortless use and minimum fatigue
- Ease of cartridge insertion and removal
- Prevents run-on
- Customer labelling

APPLICATIONS

-  Bonding
-  Chemical Anchoring

PRODUCT BY RANGE

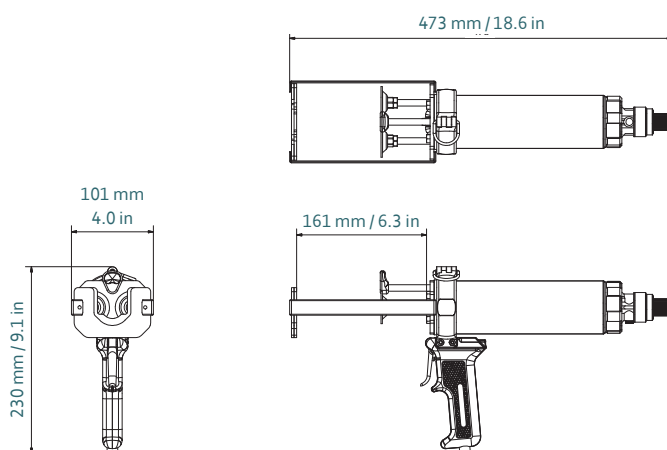


THE AIRFLOW 1 RBA 200B 2-COMPONENT PNEUMATIC DISPENSER OFFERS FAST, ACCURATE AND EFFORTLESS APPLICATION, WHILE U-OPENING STEEL FRAME ALLOWS FOR EASY INSERTION AND REMOVAL OF CARTRIDGES.

SPECIFICATIONS

- Weight: 2.0 kg / 4.3 lbs
- Frame Length: 161 mm / 6.3 in
- Maximum Thrust: 2.2 kN
- Maximum Pneumatic Pressure: 6.8 bar / 100 psi
- Air Consumption: 40 litres/min
- Handle Material: Aluminum
- Frame Material: Steel
- Tool Component Approvals: CE, REACH
- Cartridge Capacity: 400 mL (14.0 oz)
- Cartridge Ratio: 1:1
- Viscosity: Low/Medium
- Standard Color: Black/Blue
- Customized versions on demand

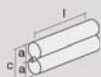
DIMENSIONS



Part number	Article number	Packaging
DP2C 400-01-220-101	177860	1 per Box

MATCHING MIXPAC™ CARTRIDGES

COMPATIBLE SIDE-BY-SIDE CARTRIDGES



Plastic Cartridge
2×190 mL / 1:1 PP

1:1	mm	inch
l	148.0	5.83
a	Ø 48.1	Ø 1.77
c	85.5	3.36

CONVERSION KITS

MATCHING ACCESSORIES