

AIRFLOW™ 1 PPA 300A

375/450/600 ML CARTRIDGE DISPENSER



Model shown: AirFlow 1 PPA 300A 600 mL

FEATURES

- Minimum trigger pressure
- U-opening steel frame
- Quick exhaust valve
- Customization possible

BENEFITS

- For effortless use and minimum fatigue
- Ease of cartridge insertion and removal
- Prevents run-on
- Customer labelling

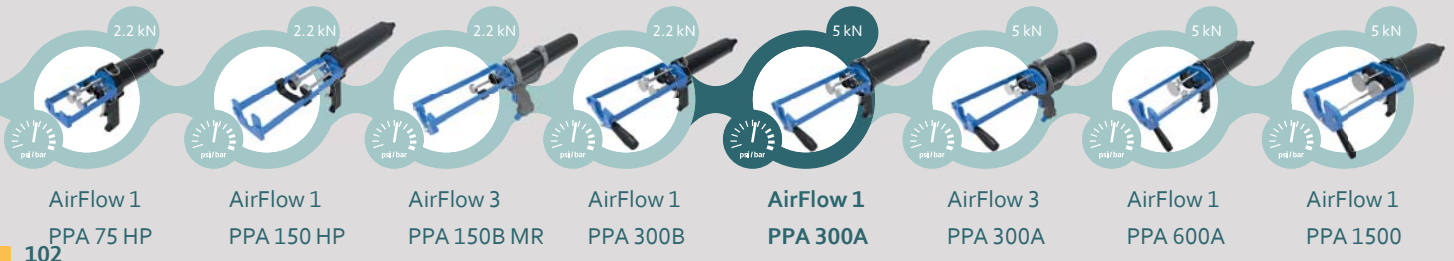
APPLICATIONS



Bonding

Chemical Anchoring

PRODUCT BY RANGE



AirFlow 1
PPA 75 HP

AirFlow 1
PPA 150 HP

AirFlow 3
PPA 150B MR

AirFlow 1
PPA 300B

AirFlow 1
PPA 300A

AirFlow 3
PPA 300A

AirFlow 1
PPA 600A

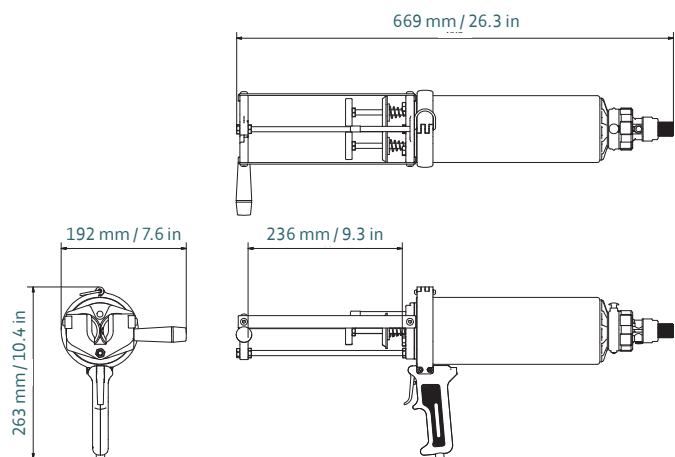
AirFlow 1
PPA 1500

THE AIRFLOW 1 PPA 300A 2-COMPONENT PNEUMATIC DISPENSER OFFERS FAST, ACCURATE AND EFFORTLESS APPLICATION, WHILE THE QUICK EXHAUST VALVE PREVENTS RUN ON.

SPECIFICATIONS

- Weight: 3.3 kg / 7.2 lbs
- Frame Length: 236 mm / 9.3 in
- Maximum Thrust: 5 kN
- Maximum Pneumatic Pressure: 6.8 bar / 100 psi
- Air Consumption: 40 litres/min
- Handle Material: Aluminum
- Frame Material: Steel
- Tool Component Approvals: CE, REACH
- Cartridge Capacity: 375 mL (13.2 oz), 450 mL (15.8 oz), 600 mL (21.1 oz)
- Cartridge Ratio: 1:1, 2:1, 4:1
- Viscosity: Medium/High
- Standard Color: Black/Blue
- Customized versions on demand

DIMENSIONS



Part number	Article number	Packaging
DP2C 600-01-500-101	177862 (1:1) / A300HP/1 (US)	1 per Box
DP2C 600-01-500-102	177865 (2:1)	1 per Box
DP2C 600-04-500-103	177867 (4:1)	1 per Box

MATCHING MIXPAC SIDE-BY-SIDE CARTRIDGES



J-System
600 mL / 1:1 PP

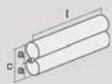


J-System
450 mL / 2:1 PP/PA

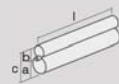


ecopaCC
600 mL / 1:1 PP/PA

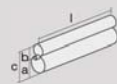
COMPATIBLE SIDE-BY-SIDE CARTRIDGES



Plastic Cartridge
600 mL / 1:1 PP



Plastic Cartridge
450 mL / 2:1 PP



Plastic Cartridge
375 mL / 4:1 PP

1:1	mm	inch
l	215.0	8.46
a	Ø 49.3	Ø 1.94
c	98.5	3.88

2:1	mm	inch
l	215.0	8.46
a	Ø 49.5	Ø 1.95
b	Ø 36.2	Ø 1.43
c	86.0	3.39

4:1	mm	inch
l	215.0	8.46
a	Ø 49.3	Ø 1.94
b	Ø 26.7	Ø 1.05
c	76.0	2.99

CONVERSION KITS

Plastic manifold see on pages 144.

MATCHING ACCESSORIES

—