

# AIRFLOW™ 1 CBA 330B

## 330/345/350 ML CARTRIDGE DISPENSER



Model shown: AirFlow 1 CBA 330B 345 mL

### FEATURES

- Air return as standard
- Minimum trigger pressure
- Snap fit cartridge strap
- Quick exhaust valve
- Customization possible

### BENEFITS

- Fast, accurate and effortless application
- For effortless use and minimum fatigue
- For optimal cartridge support
- Prevents run-on
- Customer labelling

### APPLICATIONS



### PRODUCT BY RANGE

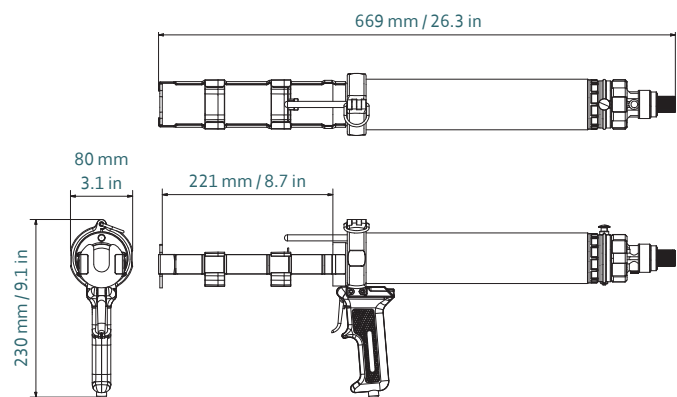


# THE AIRFLOW 1 CBA 330B 2-COMPONENT PNEUMATIC DISPENSER IS DESIGNED FOR USE WITH LOW TO MEDIUM VISCOSITY SEALANTS AND ADHESIVES AND OFFERS AIR RETURN AS STANDARD FOR FAST, ACCURATE AND EFFORTLESS APPLICATION.

## SPECIFICATIONS

- Weight: 1.9 kg / 4.1 lbs
- Frame Length: 221 mm / 8.7 in
- Maximum Thrust: 5 kN
- Maximum Pneumatic Pressure: 6.8 bar / 100 psi
- Air Consumption: 40 litres/min
- Handle Material: Aluminum
- Frame Material: Steel
- Tool Component Approvals: CE, REACH
- Cartridge Capacity: 330 mL (11.6 oz), 345 mL (12.1 oz), 350 mL (12.3 oz)
- Cartridge Ratio: 10:1
- Viscosity: Low/Medium
- Standard Color: Black/Blue
- Customized versions on demand

## DIMENSIONS



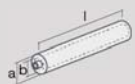
Part number	Article number	Packaging
DP2C 330-10-220-101	177789	1 per Box

## MATCHING MIXPAC™ SIDE-BY-SIDE CARTRIDGES



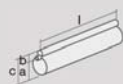
**J-System**  
350 mL / 10:1 PP/PA

## COMPATIBLE SIDE-BY-SIDE CARTRIDGES



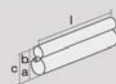
**Plastic Cartridge**  
310 mL / 10:1 PP

10:1	mm	inch
l	218.0	8.58
a	Ø 50.0	Ø 1.97
b	Ø 14.2	Ø 0.5



**Plastic Cartridge**  
330 mL / 10:1 PP

10:1	mm	inch
l	214.0	8.43
a	Ø 49.5	Ø 1.95
b	Ø 17.5	Ø 0.69
c	67.0	2.64



**Plastic Cartridge**  
345 mL / 10:1 PP/PA

10:1	mm	inch
l	215.0	8.46
a	Ø 50.0	Ø 1.97
b	Ø 18.0	Ø 0.71
c	69.0	2.72

## CONVERSION KITS

## MATCHING ACCESSORIES